

Macchina

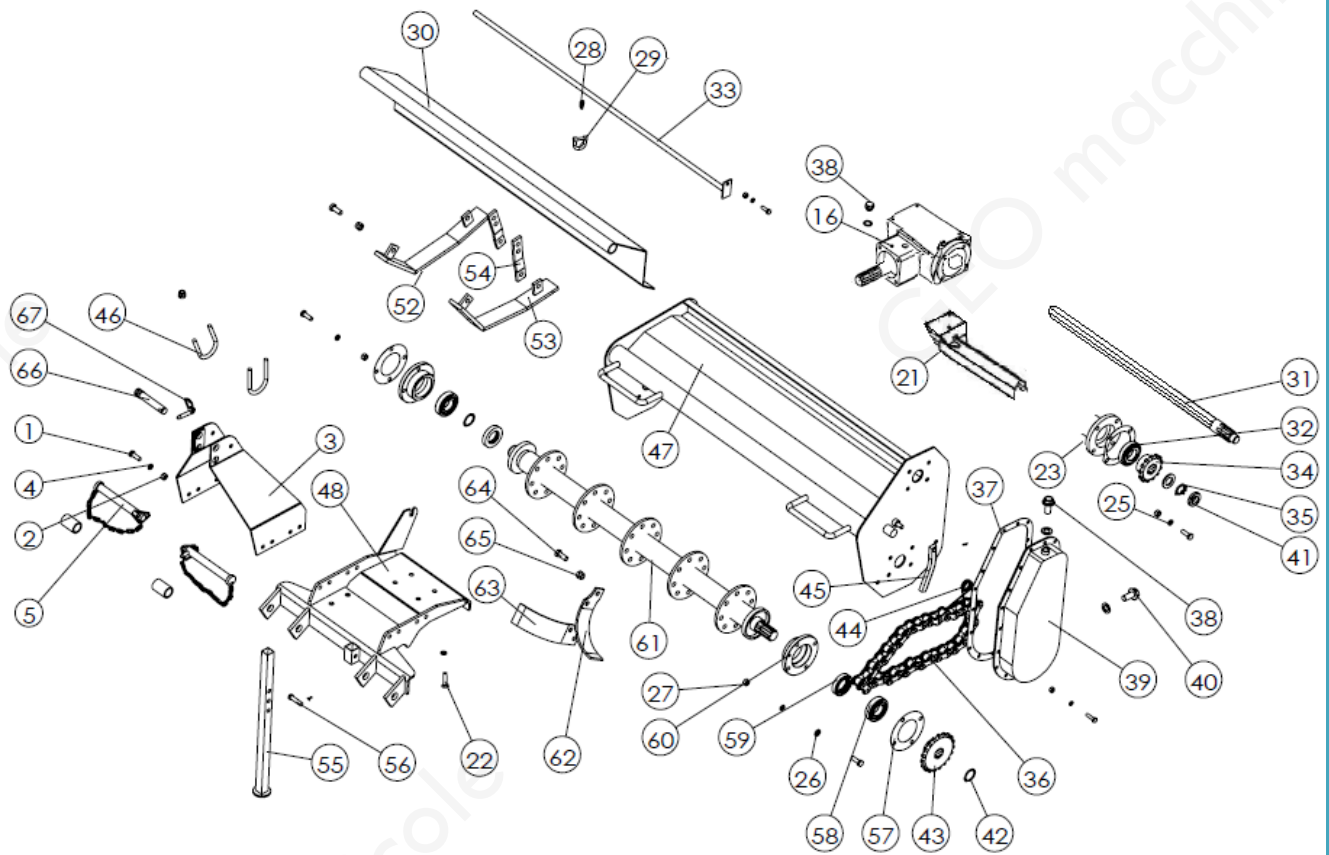
TL



Sezione

1

TL



SerNo	PartNo	Description	Quantity
-------	--------	-------------	----------

1		Bolts	8
2		Nuts	8
3		Shield protective cover	1
4		Washer	8
5		Lower suspension pin	2
16		Complete gearbox	1
26		Washer	8
27		Nut	8
28		Chain	1

29	Hook	1
30	Tail plate	1
31,1	2nd EXAGONAL shaft TL95	1
31,2	2nd EXAGONAL shaft TL105	1
31,3	2nd EXAGONAL shaft TL115	1
31,4	2nd EXAGONAL shaft TL125	1
31,5	2nd EXAGONAL shaft TL135	1
32	Bearing	1
33	Rod	1
34,1	Small sprocket wheel TL95	1
34,2	Small sprocket wheel TL105	1
34,3	Small sprocket wheel TL115	1
34,4	Small sprocket wheel TL125	1
34,5	Small sprocket wheel TL135	1
35	Stop washer	1
36,1	Chain TL95-105 (12A,60H)	1
36,2	Chain TL115-125-135 (16A,80H)	1
37	Oil seal ring	1
38	Oil filler plug	1
39	Side chain gear box	1
40	Oil drain plug	1
41	Circular nut	1
42	Circlip	1
43,1	Big sprocket wheel TL95	1
43,2	Big sprocket wheel TL105	1
43,3	Big sprocket wheel TL115	1
43,4	Big sprocket wheel TL125	1
43,5	Big sprocket wheel TL135	1
44	Spring	1
45	Tension plate	1
46	U-bolts	2
47,1	Main Frame TL95	1
47,2	Main Frame TL105	1
47,3	Main Frame TL115	1
47,4	Main Frame TL125	1
47,5	Main Frame TL135	1
48	Foot pedal	1
52	Anti-friction plate R	1
53	Anti-friction plate L	2

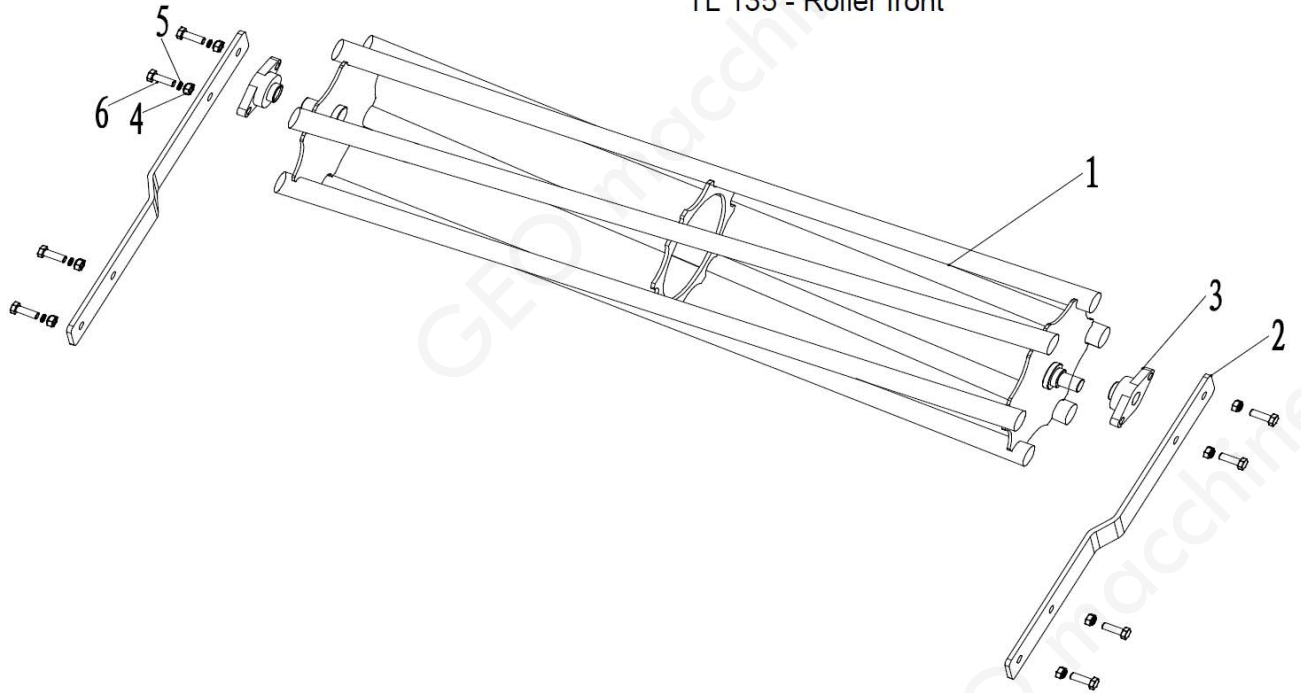
54	Connection plate TL 95-105	1
55	Stay bar	1
56	Pin	1
57	Oil seal ring	2
58	Bearing	2
59	Oil seal	2
60	Bearing seat	2
61,1	Blades shaft TL95	1
61,2	Blades shaft TL105	1
61,3	Blades shaft TL115	1
61,4	Blades shaft TL125	1
61,5	Blades shaft TL135	1
62	Left-bent blade	1
63	Right-bent blade	1
64	Blades bolt	1
65	Blades nut	1
66	Upper suspension pin	1
67	Spring lock pin	1

Sezione

2

TL_roller

TL 135 - Roller front



SerNo	PartNo	Description	Quantity
1		roller	1
2		Connection plate	2
3		Bearing seat	2
4		nut	8
5		washer	8
6		bolt	8